

JUXTA D Series

General Specifications

Model DA2
Distributor
(with Communication Function)

JUXTA

1. General

This DSC correspondence nest stored type distributor for use to 2-wire transmitter provides functions of distributor and signal isolation conversion. This instrument inputs 4~20mA DC signal and converts it into various current and voltage signals.

2. Specifications

| Input & Output | |
|--|--|
| Input signal | 4~20mA DC |
| Input resistance | 250Ω or less |
| Permissible applied voltage | 40mA or less |
| Transmitter power supply voltage | 26.5±1.5VDC (with current limit circuit of 25~35mA) |
| Permissible conductor resistance | $RL \leq (20 - \text{minimum transmitter operating voltage})V / 20mA (\Omega)$ |
| Ch1 output signal | 1~5V DC |
| Ch2 output signal | 1~5V DC |
| Zero point adjustment range | ±1% of span |
| Span adjustment range | ±5% of span |
| Standard Performance | |
| Accuracy rating | ±0.1% of span |
| Response speed | 150ms 63% response (10~90%) |
| Insulation resistance | 100MΩ or more (at 500V DC) between input~output, input~power supply and output~power supply |
| Voltage withstand | 1500V AC/minute between input~output, input~power supply 500V AC/minute between output~power supply |
| Ambient temperature and humidity | Normal operating condition : 0~50° C, 5~90% RH Operating limit : -10~60° C, 5~95% RH Storage condition : -10~70° C, 5~95% RH (no condensation) |
| Power supply voltage | 24V DC±10% (ripple content 10% p-p or less) |
| Effect of power supply voltage fluctuation | ±0.1% or less of span per 24V DC±10% fluctuation |
| Effect of ambient temperature change | ±0.2% or less of span per 10° C temperature change |
| Current dissipation | 24V DC 80mA |
| Mounting & Dimension | |
| Boards | Both sides glass-epoxy |
| Mounting method | Store in exclusive nest (signal·power supply be connected through back board and connector) |
| Wiring | External wiring : Connect to terminal M4 screw of input/output of exclusive nest. Connection to I/O card: By exclusive cable (connector) |
| External dimension | 130.6 X 23.6 X 126mm (HxWxD) |
| Weight | About 120g |
| Accessories | |
| Tag number label ... | 4 |

Output resistance and permissible load resistance

| (DC voltage output type) | | |
|--------------------------|-------------------|-----------------------------|
| Output signal | Output resistance | Permissible load resistance |
| 1~ 5V DC | 1Ω or less | 2kΩ or more |

$V_{100} = 100\%$ output voltage value

DA2-A66*A

TYPE _____

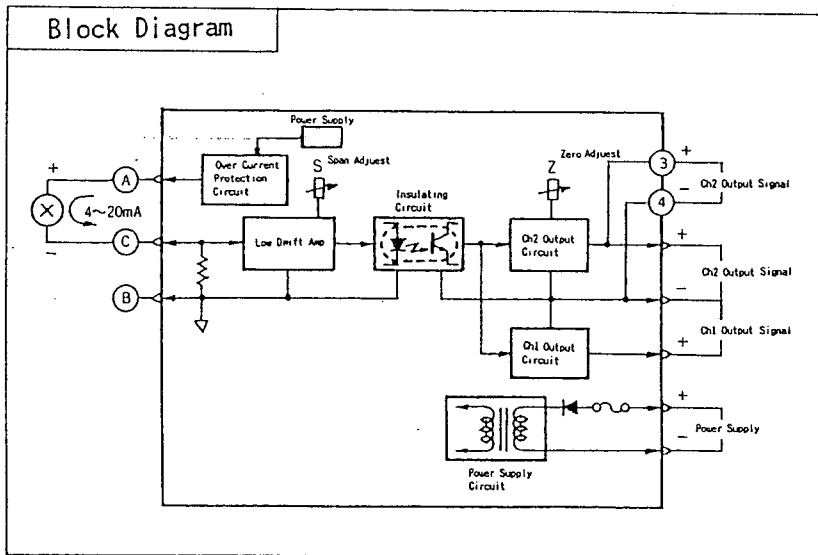
INPUT SIGNAL _____
 1 : 4~20mA DC
 2 : Transmitter Power Supply 25~28V D1)

CH1 OUTPUT SIGNAL _____
 6 : 1~5V DC

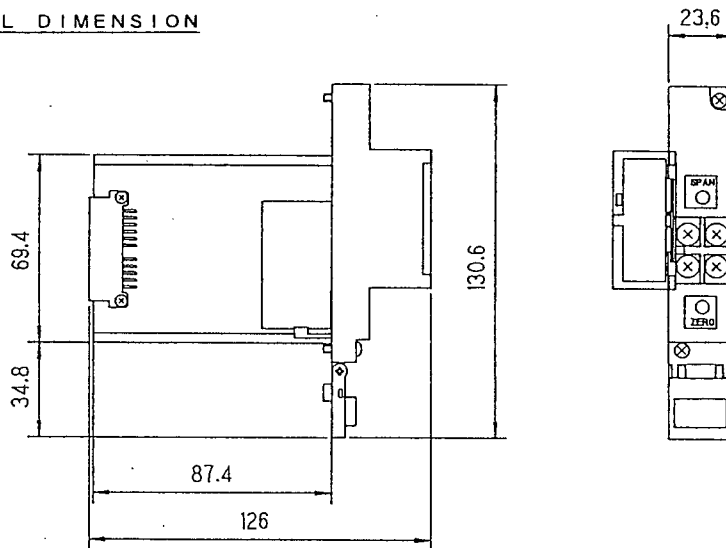
CH2 OUTPUT SIGNAL _____
 6 : 1~5V DC

POWER SUPPLY
 24V DC±10%

ORDERING INFORMATION
 (Example) Type Code : DA2-A66*A



EXTERNAL DIMENSION



Unit : mm

Subject to change without notice for grade up quality and performance